

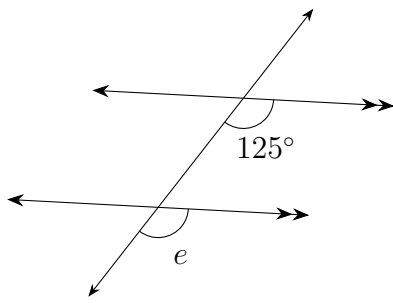
Name: \_\_\_\_\_

Date: \_\_\_\_\_

Parallel lines Angles: Questions

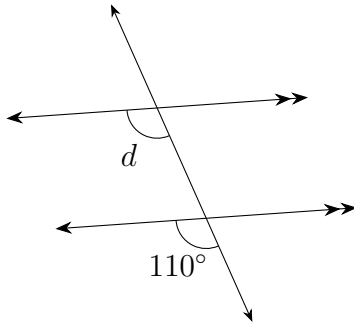
---

(1)



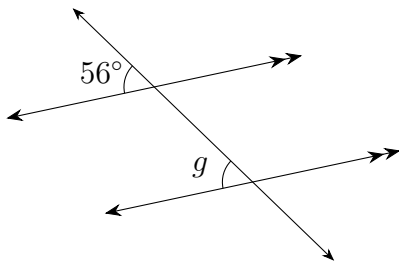
$\angle e = \dots\dots^\circ$

(2)



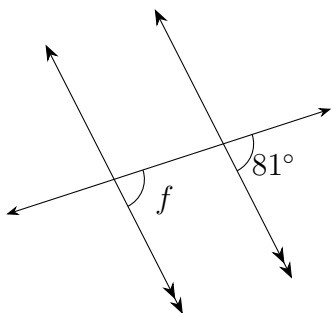
$\angle d = \dots\dots^\circ$

(3)



$\angle g = \dots\dots^\circ$

(4)



$\angle f = \dots\dots^\circ$